

RS 8 Kappa

Kappa Series 4-Way Speaker System

SPECIFICATIONS

ACOUSTIC & ELECTRICAL SPECIFICATIONS:

- Nominal Impedance: 4 to 6 ohms
- Power Rating: 50-250 watts RMS
- Efficiency: 89 dB @ 1 watt, 1 meter
- Crossover Frequencies: 80Hz, 800Hz, 4500Hz
- Frequency Response: 33Hz-45kHz +/-3dB

PRODUCTION HISTORY

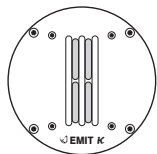
- Introduced in 1987
- Discontinued 1989
- Original Retail Price: \$999.00/each

PHYSICAL SPECIFICATIONS:

- 1x - EMIT *k* Tweeter
- 1x - 3" Edgewound Voice Coil Polydome *k* Midrange Driver
- 1x - 5" Polypropylene/graphite Diaphragm Polygraph *k*
- 1x - 12" Cast Frame , L/C Tuned Woofer
- Dimensions: 47.5"H x 20.8"W" x 8"D
120.65cm(H) x 52.83cm(W) x 20.3cm(D)
- Cabinet Not Sold
- Base #659-3129
- Grille #NLA
- Crossover #015-3162-E
- Binding Post #528-3238

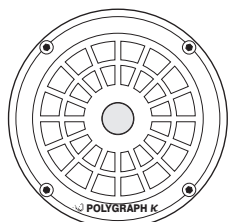
SEE BACK FOR WIRING DIAGRAM

TECHNICAL INFORMATION

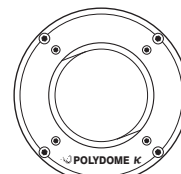


TWEETER
#902-3082N

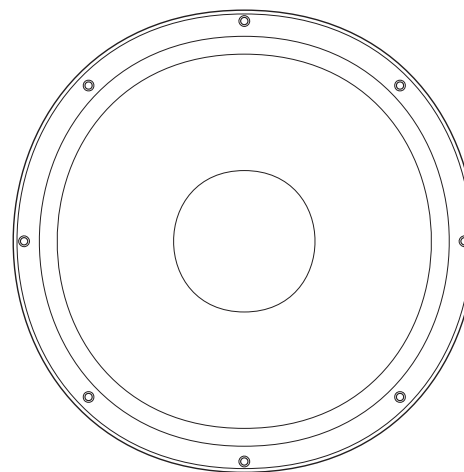
DIAPHRAGM
#751-3722



MID-BASS COUPLER
#902-3068



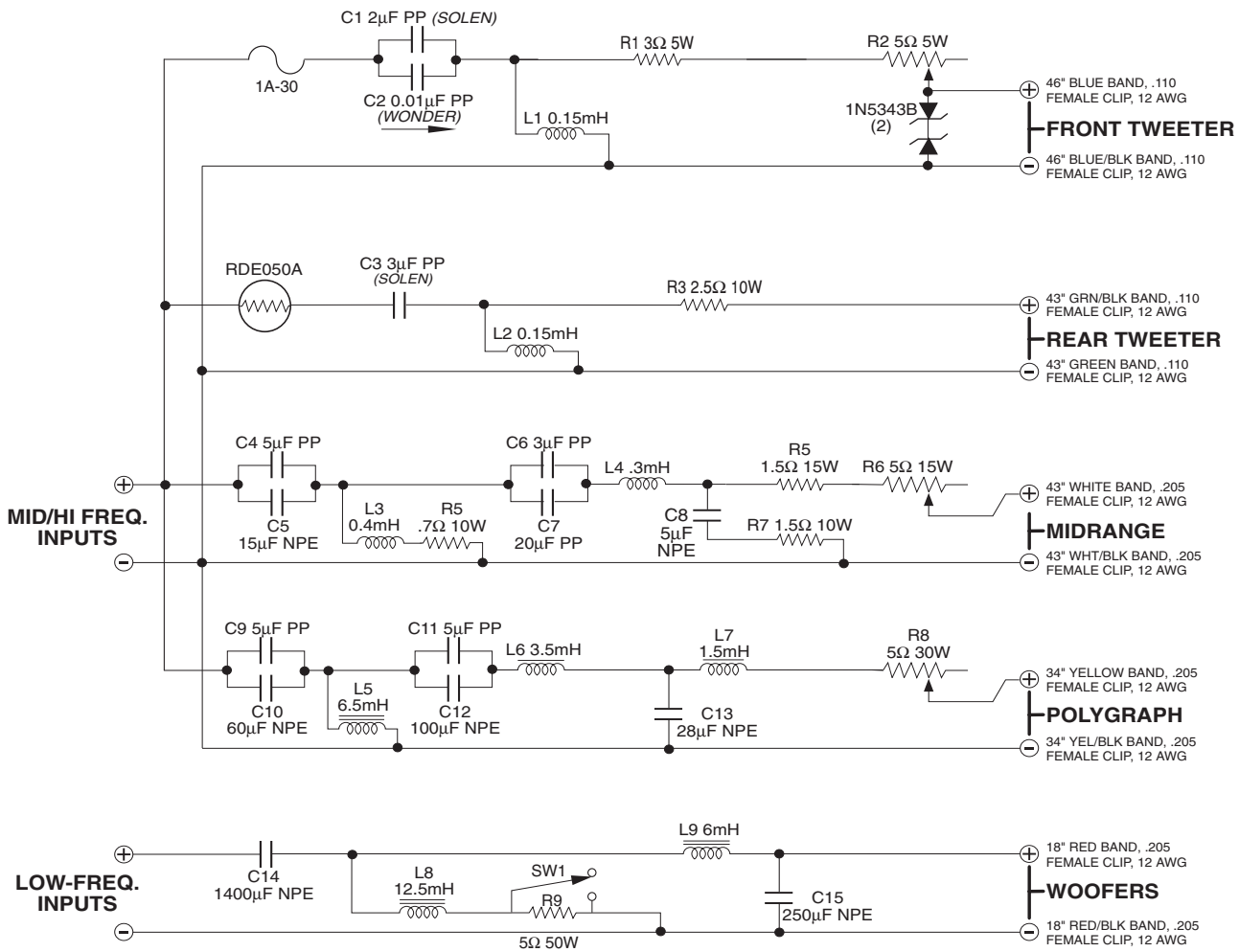
MIDRANGE
#902-3075



12" WOOFER
#902-3054

RS 8 Kappa Series 4-Way Speaker System

SCHEMATIC DIAGRAM



RS 8 Kappa Series 4-Way Speaker System